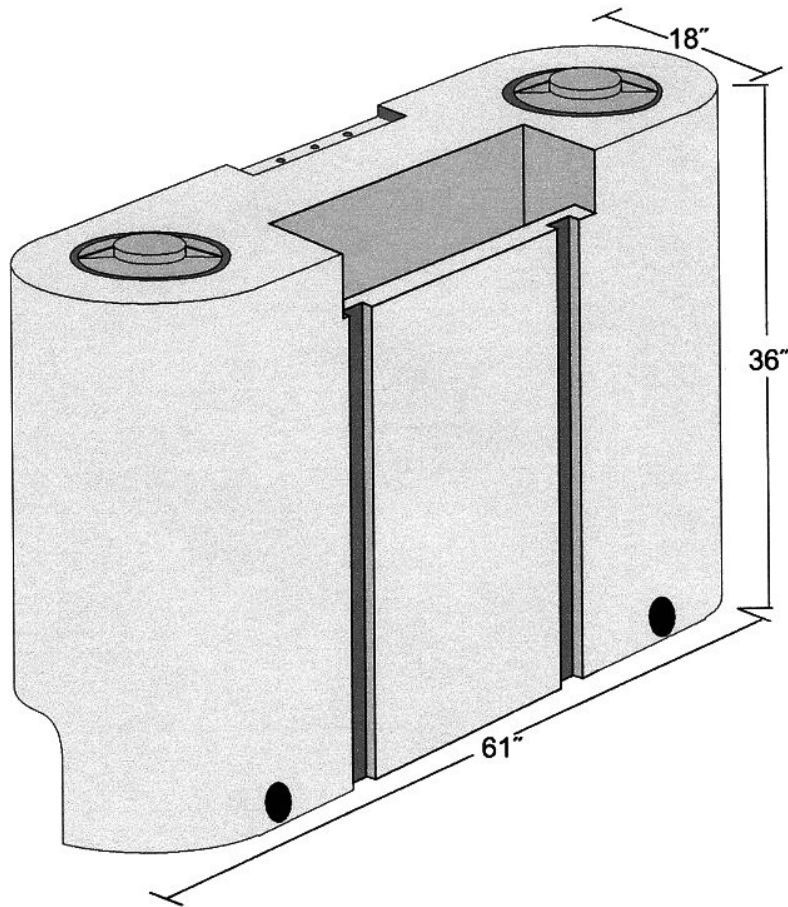

HYDRO-WELL

Owner's Manual



HYDRO-FORCE

4282 S 590 W , Salt Lake City, UT 84123
(800) 637-3789 • (801) 268-2673 • Fax (801) 268-3856

©1998 HYDRO-FORCE, INC.

Welcome to HYDRO-WELL. Thank you for purchasing the highest quality tank made. We take a great deal of pride in the HYDRO-WELL and want you to be completely satisfied with your purchase. If you have not already done so, please fill out the warranty card and mail it to:

Hydro Force
4282 S 590 W
Salt Lake City, UT 84123

SETUP

Van Size: HYDRO-WELL is designed to mount in any size van; however, a full size 3/4 or 1 ton van is recommended. Remember that 100 gallons of water weighs over 800 pounds.

Flooring: A flat, smooth floor is required for installation. A finished flooring of 1/2" exterior grade plywood is recommended. It may be necessary to build up the level of the HYDRO-WELL in order to clear a wheel well (particularly in late model vans). You should place a 14" x 64" plywood board of the appropriate thickness under the HYDRO-WELL to accomplish the necessary clearance.

Water Fittings: HYDRO-WELL comes with three water handling fittings. Two bulkhead fittings on the front of the tank at the bottom, are for truck mount water supply and tank draining. The float valve is for water filling and needs to be installed.

The bulkhead fittings accept 1/2" MPT elbow fittings. Teflon tape must be used on all threaded fittings. **DO NOT OVERTIGHTEN.**

Install the float valve inside the tank by threading it through the pre-drilled upper hole. Use the float valve spacer(s) (your assembly might include 1 or 2 spacers depending on spacer thickness) and the float valve nut to secure the valve. Only tighten 1/2 turn past hand tight. Teflon tape the end and screw on the

garden hose fitting. Although the float valve is preset at the factory, we recommend checking the level after the tank is mounted.

Placement: HYDRO-WELL is designed to mount anywhere in your van—over either wheel well, against the wall, away from the wall, or behind the seats. Remember to leave a safe distance between the tank and all heat sources, such as, water heaters and engines.

INSTALLATION

CAUTION: Before drilling, always check for alignment with underbody components, such as frame, gas tank, exhaust, spare tire, etc.

NOTE: For proper installation, two bolts must secure each base bracket to the floor. There are four holes available to allow for alignment with underbody components. The wider the bolts are apart, the better the installation.

1. Position the tank and mark holes for the base brackets with a magic marker.
2. Install the sleeve (Item #9) on the threaded rod (Item #8). Grease the tip of the threaded rod and feed it through the top bracket. With the rod perpendicular to the van floor, mark the floor or wheel well with the grease, where the rod will be bolted.
3. After checking alignment with underbody components, move the tank and drill a 1/2" hole on the grease mark.

For installation over the wheel, proceed to step 4. For installation on flat flooring, go directly to step 5.

4. WHEEL WELL INSTALLATION:

- a. Thread one jam nut (Item #27) 6" from the top of the rod and one jam nut 2" from the bottom. Put a mounting plate (Item #7) on the bottom of the rod, and place the rod into the drilled hole.
- b. Underneath, place a mounting plate (Item #7), 1/2" lock washer (Item #24), and a 1/2" nut (Item #26). Tighten securely.
- c. Set the tank onto the rod and position the tank until the marks on the floor line up with the base brackets. If necessary reposition the tank to keep the threaded rod perpendicular to the van floor. After checking alignment with underbody components and using the base brackets as a guide, drill 3/8" holes into the floor.
- d. Complete plumbing by hooking up truck mount supply hose and adding a drain hose.

Failure to comply with the following directions can lead to damage to the threaded inserts molded in the tank and possible leaking. This type of damage is not covered by warranty.

- e. Loosen the bolts (Item #19) that hold the base brackets onto the tank, until the base bracket is able to slide up and down easily. Place bolt (Item #20) with 3/8" flat washer (Item #23) through the base mounting bracket. Fill the tank with 4-6 inches of water. Underneath the van, use a mounting plate (Item #7), a 3/8" flat washer (Item #23), a 3/8" lock washer (Item #22), and a 3/8" nut (Item #25). Securely tighten the brackets to the floor. Carefully retighten the bolts (Item #19) that hold the base brackets onto the tank. **DO NOT OVERTIGHTEN!** The bolt is tight just as the lockwasher is flattening.
- f. Place a 1/2" lock washer (Item #24) and a 1/2" nut (Item #26) on the top of the threaded rod. Secure the top bracket with equal pressure from the top nut and the jam nut.

5. FLOOR INSTALLATION:

- a. Place bolt (Item #21) through the top mounting bracket and secure with a jam nut (Item #27). Thread bolt (Item #21) halfway into the coupling nut (Item #28).
- b. Thread a jam nut (Item #27) onto the bottom of the threaded rod, followed by a mounting plate (Item #7), 4" from the end. Place the bottom of the rod into the drilled hole.
- c. Position the tank so that the marks on the floor line up with the base brackets. Thread the top of the rod halfway into the coupling nut (Item #28). If necessary reposition the tank to keep the threaded rod perpendicular to the van floor. After checking alignment with underbody components and using the base brackets as a guide, drill 3/8" holes into the floor.
- d. Complete plumbing by hooking up truck mount supply hose and adding a drain hose.

Failure to comply with the following directions can lead to damage to the threaded inserts molded in the tank and possible leaking. This type of damage is not covered by warranty.

- e. Loosen the bolts (Item #19) that hold the base brackets onto the tank, until the base bracket is able to slide up and down easily. Place bolt (Item #20) with 3/8" flat washer (Item #23) through the base mounting bracket. Fill the tank with 4-6 inches of water. Underneath the van, use a mounting plate (Item #7), a 3/8" flat washer (Item #23), a 3/8" lock washer (Item #22), and a 3/8" nut (Item #25). Securely tighten the brackets to the floor. Carefully retighten the bolts (Item #19) that hold the base brackets onto the tank. **DO NOT OVERTIGHTEN!** The bolt is tight just as the lockwasher is flattening.
- f. Place a mounting plate, a 1/2" lock washer (Item #24) and a 1/2" nut (Item #26) on the bottom of the threaded rod, underneath the vehicle. Secure the rod to the floor with equal pressure from the bottom nut and the jam nut.

PARTS LIST

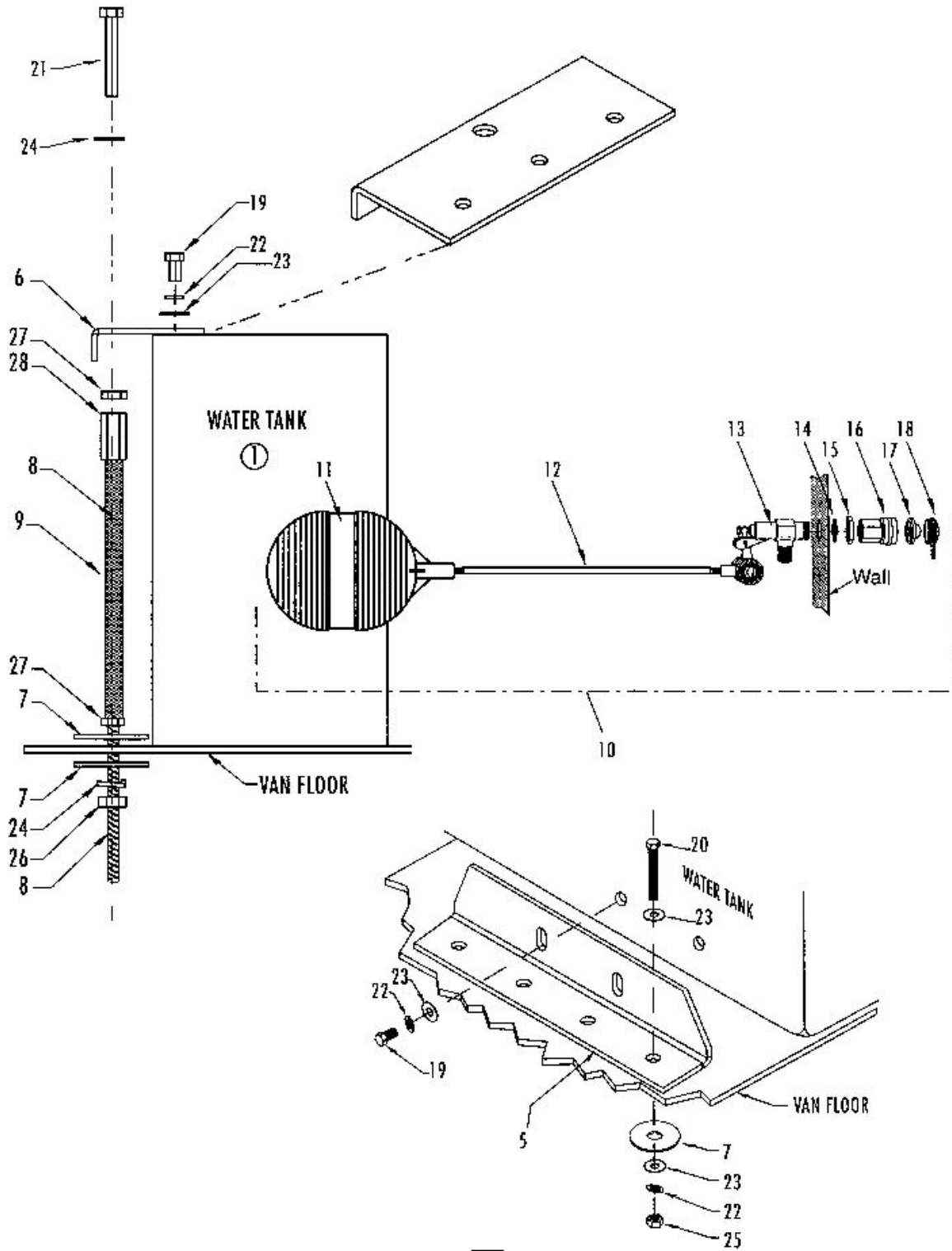
ITEM #	PART #	PART DESCRIPTION	QUANTITY
1	751001	TANK	1
2	751002	10" VENTED LID ASSEMBLY-COMplete	2
	751010	10" VENTED LID LID ONLY	2
3	751003	BULKHEAD FITTING-1/2"	2
4	751004	BULKHEAD PLUG	1
5	751005	BASE MOUNTING BRACKET	2
6	751006	TOP MOUNTING BRACKET	1
7	751007	MOUNTING PLATE	6
8	751008	ALL THREAD BOLT-1/2" - 13 X 36"	1
9	751009	ALL THREAD SLEEVE	1
10	751020	FLOAT VALVE ASSEMBLY-COMplete	1
11	751021	FLOAT VALVE BALL	*
12	751022	FLOAT VALVE ROD-8"	*
13	751023	FLOAT VALVE - 1/2"	*
14	751024	FLOAT VALVE SPACER (1 or 2 each)	*
15	751025	FLOAT VALVE NUT	*
16	751026	GARDEN FEMALE X 1/2" FPT	*
17	751027	GARDEN HOSE SCREEN	*
18	751028	GARDEN FEMALE PLUG	*
19	780005	BOLT 3/8" - 16 X 3/4"	7
20	780006	TAP BOLT 3/8" - 16 X 3" [F]	4
21	780007	TAP BOLT 1/2" - 13 X 3"	1
22	780206	LOCK WASHER - 3/8"	11
23	780204	FLAT WASTER - 3/8"	15
24	780207	LOCK WASHER - 1/2"	2
25	780404	NUT 3/8" - 16	4
26	780405	NUT 1/2" - 13 [W]	2
27	780406	JAM NUT 1/2" - 13	2
28	780407	COUPLING NUT 1/2" - 13 [F]	1

* Items included in Float Valve Assembly

[F] Floor Install Only

[W] Second Nut for Wheel Well Install Only

HYDRO-WELL



CONVENIENCE PACKAGES

Optional convenience packages are available for plumbing and reinstalling the HYDRO-WELL.

INLET HOSE PACKAGE

This package is designed to fill the HYDRO-WELL from the inlet quick disconnect on the front of a truck mount unit. Connects to a 1/2" hose barb on the back of the quick disconnect. (Not for use with the Pump Transfer Package)

OUTLET HOSE PACKAGE

Connects the HYDRO-WELL directly to the truck mount's pressure pump and chemical metering system, completely bypassing the solution reservoir tank. Connects to a 1/2" hose barb.

Warning: This package is not for use with every truck mount system. Please check with the truck mount manufacturer or authorized service center before installing.

PUMP TRANSFER PACKAGE

Uses a 12 Volt Shurflo pump to transfer water at 3.5 gallons per minute, from the HYDRO-WELL to the truck mount's solution reservoir tank. Connects to the inlet quick disconnect on the front of truckmount unit. Male 3/8" QD standard, others available.

DRAIN HOSE PACKAGE

Allows easy draining of the HYDRO-WELL out the side or back door.

INSTALL KIT

Original hardware included with each new HYDRO-WELL for reinstalling in new van.

HYDRO-WELL

THREE YEAR LIMITED WARRANTY

HYDRO-WELL is warranted to be free of defects in material and workmanship for a period of thirty six (36) months under normal use and service from the date of original purchase when installed and maintained in accordance with our Installation instructions. This warranty does not apply to damage or failure caused by improper installation, abuse or neglect. During the warranty period, we will repair or replace, at our sole option, any part found to be defective upon our examination, but will not pay shipping costs, labor, or other costs. To obtain warranty service, contact your local Hydro-Force distributor, or call us directly at (800) 637-3789. The HYDRO-WELL may not be returned without prior permission and must be returned to us with freight prepaid.

This warranty does not cover labor or any other charges in connection with the replacement of defective parts. No local service or repair charges are allowed.

This warranty service is an exclusive remedy and we **are not** responsible for any consequential or incidental damages or injury to person or property.

WARRANTY INFORMATION

SERIAL NUMBER: _____

DATE OF PURCHASE: _____

PURCHASED FROM: _____

**PLEASE RETURN THE WARRANTY REGISTRATION CARD
OR CALL US AT (800) 637-3789**